

Provide low limit temperature control and/or indication in operating dampers, valves, and compressor or fan motors in HVAC systems.

- Manual and automatic reset models available.
- DPDT (2xSPDT) switching action.
- Responsive to lowest temperature sensed along any one foot section of capillary element.
- Set point visible through front cover and adjustable from top of controller case.
- Test lever for manual operation during checkout.
- Manual reset models cannot be reset until sensed temperature is at least 5°F (2.8°C) above set point.
- Automatic reset models automatically reset when sensed temperature rises 5°F (2.8°C) above set point.

APPROVALS: UL, cUL listed; CE, RoHs compliant.

SWITCH ACTION: DPDT (2xSPDT), snap acting.

SWITCH RATING: See Table A.

DIFFERENTIAL: 4.5°F (2.5°C), fixed.

ACCURACY: +/-2°C (+/-3.6°F).

SENSING ELEMENT: Vapor-filled copper capillary, 3/32" (2.4mm) diameter, 10-foot (3m) or 20-foot (6m) length depending on model.

TEMPERATURE LIMITS:

-60°F to 160°F (-51°C to 71°C), operating;
300°F (149°C) maximum at sensing element.

MATERIAL: Painted steel case.

MOUNTING: Surface mount with capillary installed in horizontal serpentine pattern across coil face.

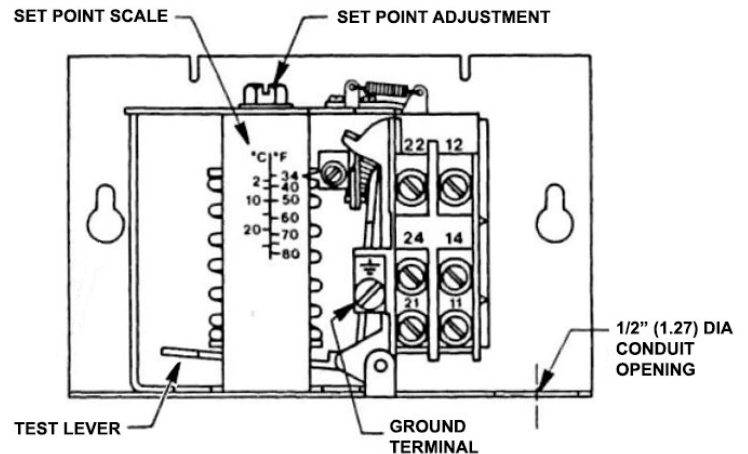
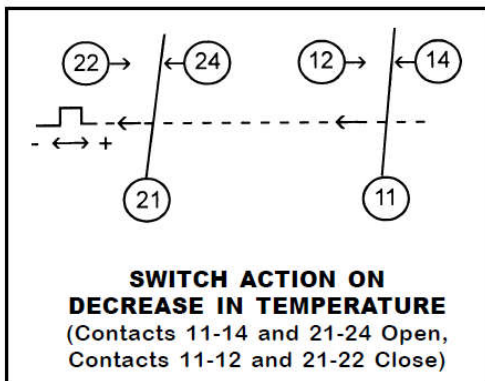
DIMENSIONS: 3.63"H x 5.5"W x 2.63"D
(92mm x 140mm x 67mm).

ACCESSORIES: FX-4520 capillary mounting clip.



TABLE A. ELECTRICAL RATINGS

INDUCTIVE	120 vac	240 vac
F.L.A.	14 Amps	12 Amps
L.R.A.	82 Amps	72 Amps
HP	3/4 HP	2 HP
Pilot Duty 720 va max @ 120 to 600 vac; 144 va max @ 24 vac		



Model	Reset Action	Switch Action	Capillary Length	Setpoint Range	Differential Fixed
FS-50	Manual	DPDT	20-feet (6m)	34°F to 70°F (1.1°C to 21°C)	4.5°F (2.5°C)
FS-53	Automatic				
FS-61	Manual	DPDT	10-feet (3m)	34°F to 70°F (1.1°C to 21°C)	4.5°F (2.5°C)
FS-64	Automatic				