

P-14, 18, 24, 36

NEMA 1 ENCLOSURES

U.L. Listed

General purpose enclosures used for mounting pneumatic, electric and electronic control components.

- All models are NEMA 1 type enclosures with U.L. Listing.
- Baked on enamel finish over 16 gauge galvaneal steel.
- Furnished with key locking latch and two keys.
- Removable subpanel with mounting holes for control devices.
- Cabinet can be positioned for either left or right door opening.
- Mounting keyslots and 8 knockouts for ease of installation.



APPROVALS: NEMA 1; UL Listed.

CONSTRUCTION:

Cabinet & Door: 16 gauge galvaneal steel.
 Subpanel: 16 gauge galvaneal steel with 1/8" OD (3.2mm) holes on 2" (51mm) centers.
 Door Hinge: Continuous piano hinge.

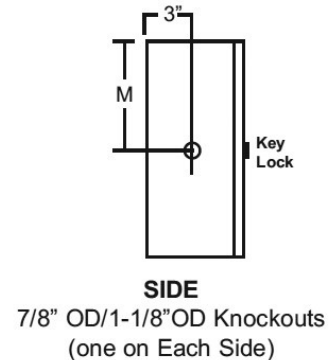
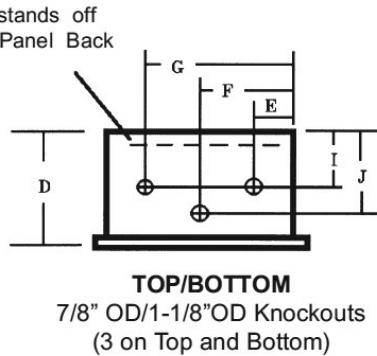
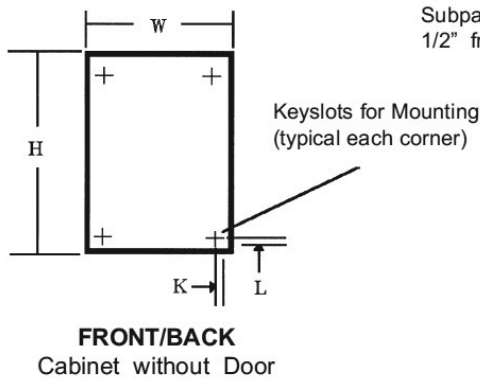
Lock: Key operated latch.

Knockouts: Combination 7/8" OD / 1-1/8" OD (22/29mm).

MOUNTING: Surface using mounting keyslots.

FINISH: Baked on enamel.

COLOR: Tan.



DIMENSIONS IN INCHES (CM)

Model	H	W	D	E	F	G	I	J	K	L	M
P-14	14 (35.6)	12 (30.5)	4 (10.2)	2 (5.1)	5.88 (14.9)	9.75 (24.8)	2 (5.1)	2 (5.1)	0.75 (1.9)	0.75 (1.9)	7 (17.8)
P-18	18 (45.7)	16 (40.7)	6 (15.3)	2.19 (5.6)	8.13 (20.7)	14.19 (36)	3 (7.6)	4 (10.2)	0.75 (1.9)	0.75 (1.9)	9 (22.9)
P-24	24 (61)	20 (50.8)	6 (15.3)	2 (5.1)	9.88 (25.1)	17.81 (45.3)	2.25 (5.7)	3.88 (9.84)	0.75 (1.9)	0.75 (1.9)	12 (30.5)
P-36	36 (91.5)	24 (61)	6 (15.3)	2.88 (7.3)	12 (30.5)	21.13 (53.7)	2.06 (5.24)	2.94 (7.46)	0.75 (1.9)	0.75 (1.9)	18 (25.7)

Model	Cabinet – Inches (cm)			Subpanel – Inches (cm)		Weight w/ subpanel
	Height	Width	Depth	Height	Width	
P-14	14" (35.6)	12" (30.5)	4" (10.2)	12" (30.5)	10" (25.4)	14 lbs (6.4 kg)
P-18	18" (45.7)	16" (40.7)	6" (15.3)	16" (40.7)	14" (35.6)	24 lbs (10.9 kg)
P-24	24" (61)	20" (50.8)	6" (15.3)	22" (55.9)	18" (45.7)	36 lbs (16.4 kg)
P-36	36" (91.5)	24" (61)	6" (15.3)	34" (86.4)	22" (55.9)	59 lbs (26.9 kg)